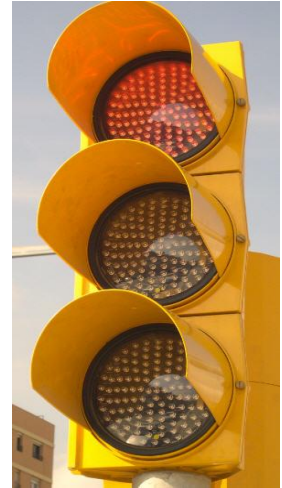




SEMAFORO TRAFFIC LIGHTS

FICHA TÉCNICA DATASHEET

Referencia
Reference
SUZUKA 200



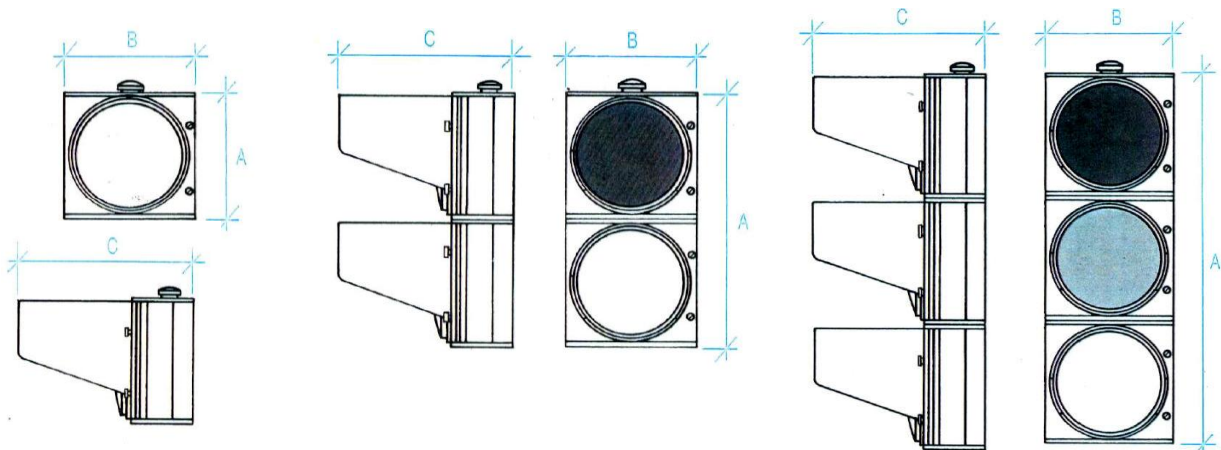
El modelo SUZUKA está fabricado, con resinas de policarbonato LEXAN®103R del fabricante G.E. plastics, y disponible en cuerpos de 200mm., diferentes combinaciones de tamaños y formatos.

The SUZUKA model is made with polycarbonate resins manufacturer GE LEXAN®103R plastics, and available bodies. 200mm., different combinations of sizes and formats.

CARACTERÍSTICAS / FEATURES

DIAMETRO DIAMETER	MODULOS MODULES	DIMENSIONES DIMENSIONS width / height / depth	COLORES COLORS	TEMPERATURA TEMPERATURE	RESISTENCIA RESISTANCE	CERTIFICADO CE CE CERTIFICATE
200mm.	1	265 / 255 / 160 (380*)	NEGRO / BLACK:	A, B and C	IR3 in compliance with PN-EN 12368:2006	Full conformity with PN-EN 12368:2006
	2	265 / 510 / 160 (380*)	AMARILLO/YELLOW:	(-40°C / +65°C)		
	3	265 / 765 / 160 (380*)	GRIS / GREY: VERDE / GREEN:	in compliance with PN-EN 12368:2006		

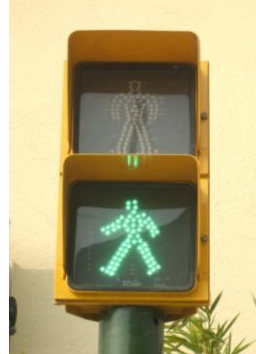
* medida con visera / depth with visors





SEMAFORO TRAFFIC LIGHT

FICHA TÉCNICA DATASHEET



El modelo está fabricado, con resinas de policarbonato y disponible en cuerpos de 200mm., diferentes combinaciones de tamaños y formatos.

The model is made with polycarbonate resins plastics, and available bodies. 200mm., different combinations of sizes and formats.

CARACTERÍSTICAS / FEATURES

DIAMETRO DIAMETER	MODULOS MODULES	DIMENSIONES DIMENSIONS width / height / depth	COLORES COLORS	TEMPERATURA TEMPERATURE	RESISTENCIA RESISTANCE	CERTIFICADO CE CE CERTIFICATE
200mm.	2/200 PPC	265 / 510 / 160 (300*)	NEGRO / BLACK:	RAL 9005	A,B and C (-40°C / +65°C) in compliance with PN-EN 12368:2006	IR3 in compliance with PN-EN 12368:2006
	2/200PPC+1DES	265 / 765 / 160 (300/380*)	GRIS / GREY:	RAL 7032		
	2/200PPC+1PPC	265 / 765 / 160 (380*)	VERDE / GREEN:	RAL 6009		

* medida con visera / depth with visors

